

Redundant RF Switch

RSW-3002

For Fail-Safe Redundant RF Applications

The **Litelink**® RSW-3002 is a two input single output automatic switch designed to implement a redundant, fail-safe RF signal transmission. The RSW-3002 may be used with any fiber optic system to implement a redundant, fail-safe RF transmission system.

Upon loss of the primary RF signal, the RSW-3002 will automatically switch the remaining secondary (backup) RF signal to the output as well as activate the front panel alarm indicator and ALM-1000 Alarm Sensing Unit if used. Indicators are provided to continuously indicate the presence of RF signals in each channel as well as the presence of operating power making system troubleshooting simple.



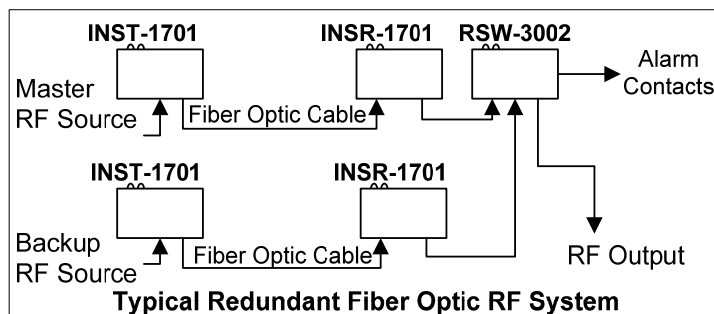
Technical Specifications

Important Feature

Compatibility	IRIG A - H
Video Bandwidth (per channel)	100 Hz to 1 GHz (+0, -3dB)
Video Input / Output Levels	3 volt peak to peak
Input / Output Impedances	50 ohms
Differential Gain	0.5% maximum
Phase Shift	0.3° maximum
Switch-Over Time	10 milliseconds maximum
Signal/Noise Ratio	60 dB minimum
Signal Connectors	BNC
Indicators	Power, Input 1, Input 2, Alarm
Alarm contact Ratings	0.5A 125 VAC, 1 Amp 24 VDC
Operating Temperature	-35° to +75°C
Humidity	<95% non condensing
MTBF (per MIL HBK 217)	>120,000 hours
Power Requirements*	11-24 VAC/DC @ 150 mA
Physical Size (mm)	5.0" (127) x 3.0" (76) x 1.0" (25.4)

- **100 Hz to 1 GHz Bandwidth**
- **Auto or Manual operation**
- **Signal & Power Indicators**
- **Alarm output with ALM-1000**
- **Stand-alone, DIN or Rack Mountable (same unit)**

Note that all specifications are subject to change without prior notice.



Ordering Information

Redundant RF Switch

RSW-3002

*For stand-alone operation order a PS-1205 power supply.

*For rack mounted operation all operating power is provided by the power supply used with the rack panel.

Litelink®
Fiber Optic Transmission Systems

www.LiteLink.com
USA 516-931-2800